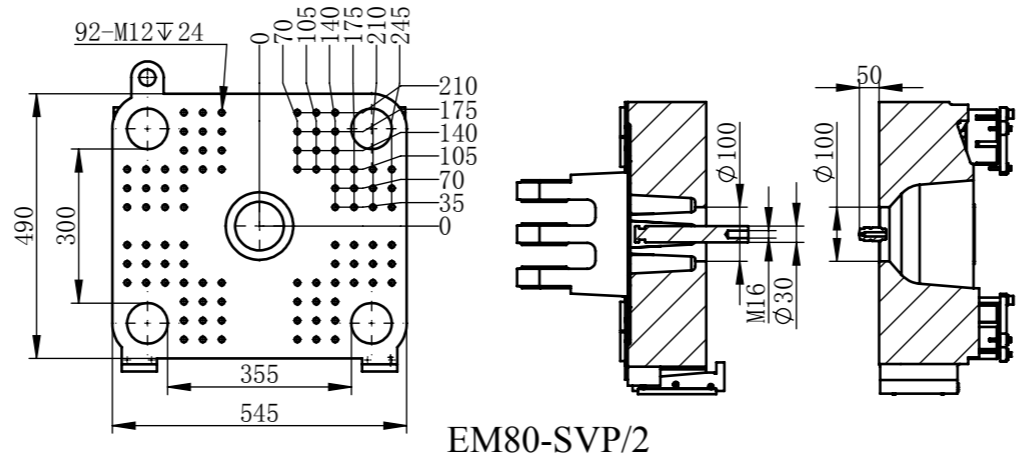
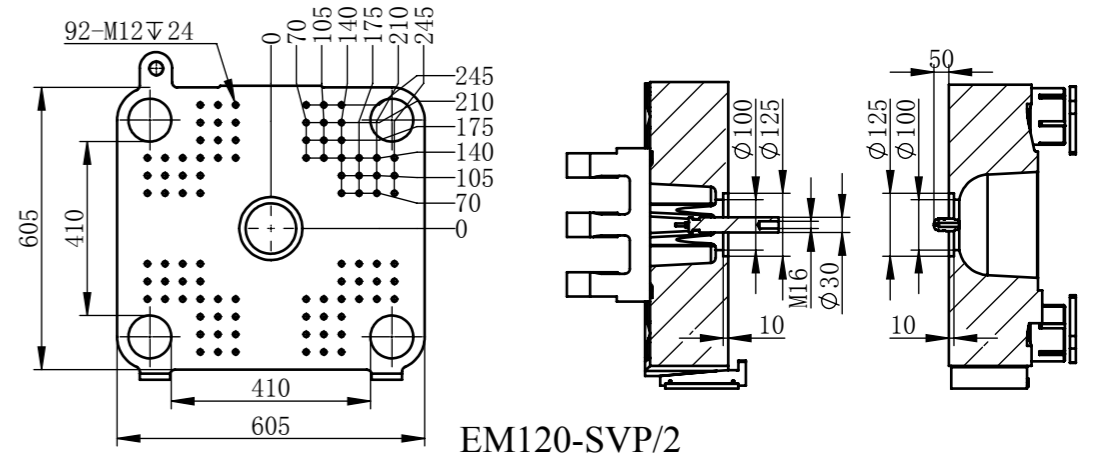


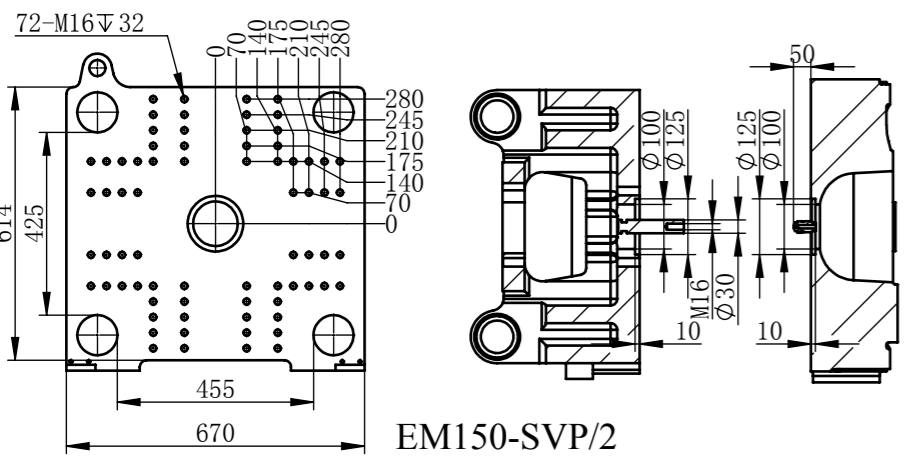
EM80~560-SVP/2 (Euromap)



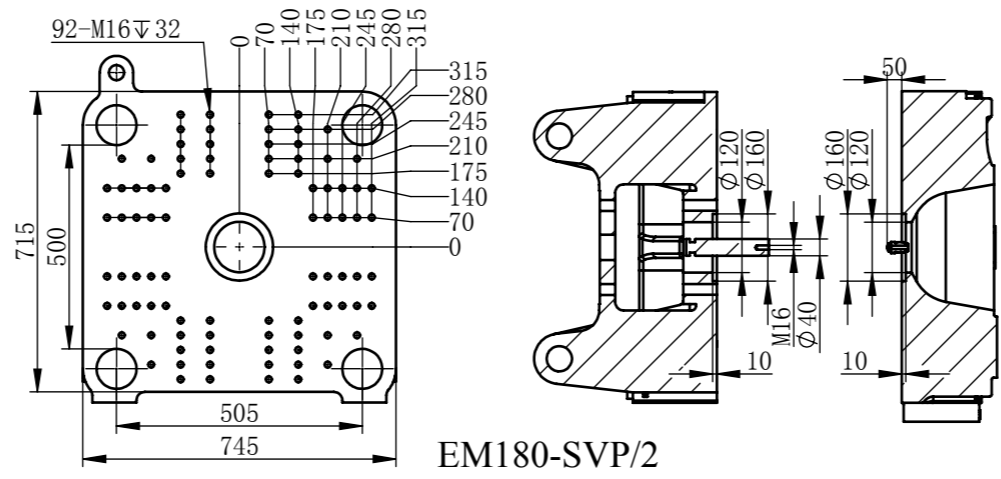
EM80-SVP/2



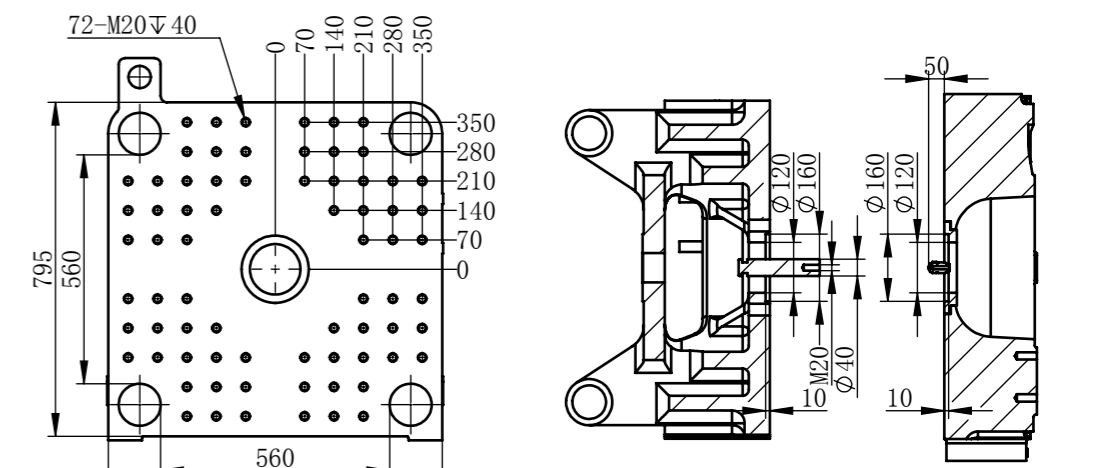
EM120-SVP/2



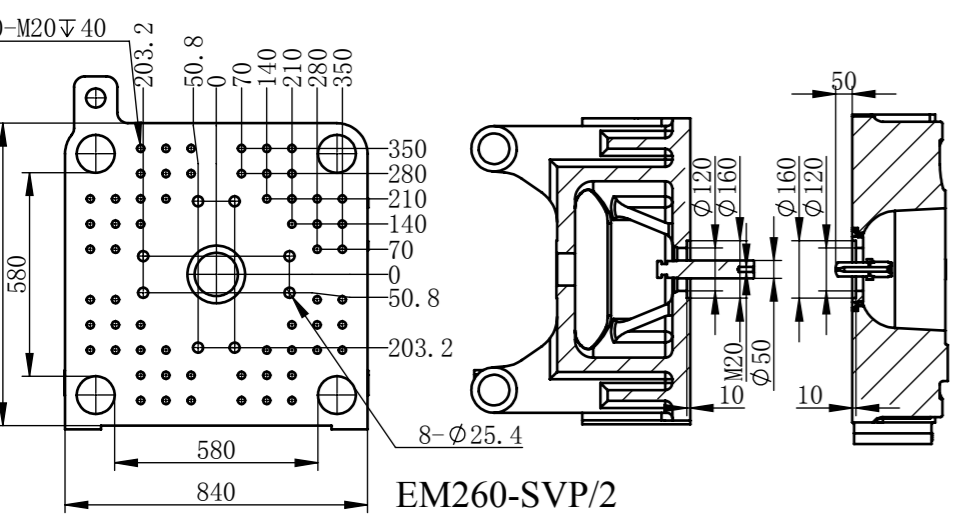
EM150-SVP/2



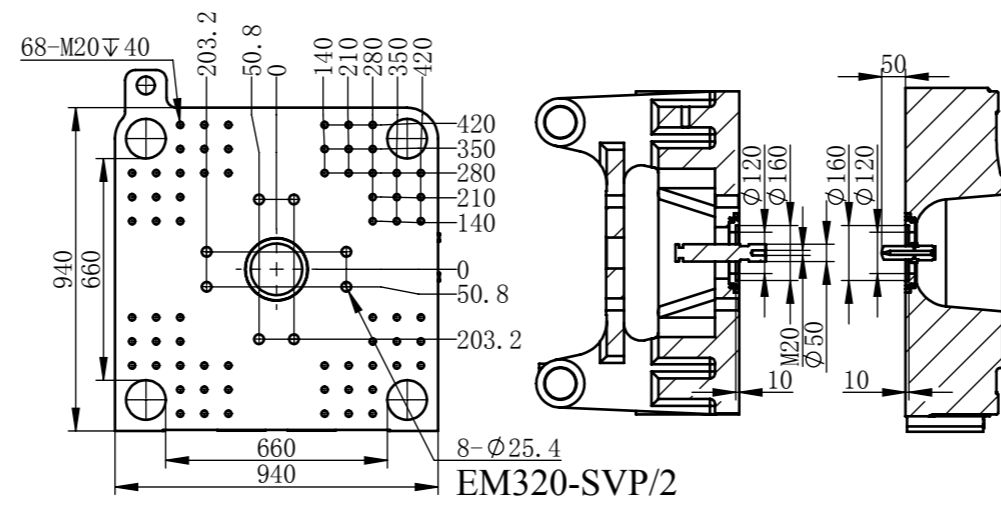
EM180-SVP/2



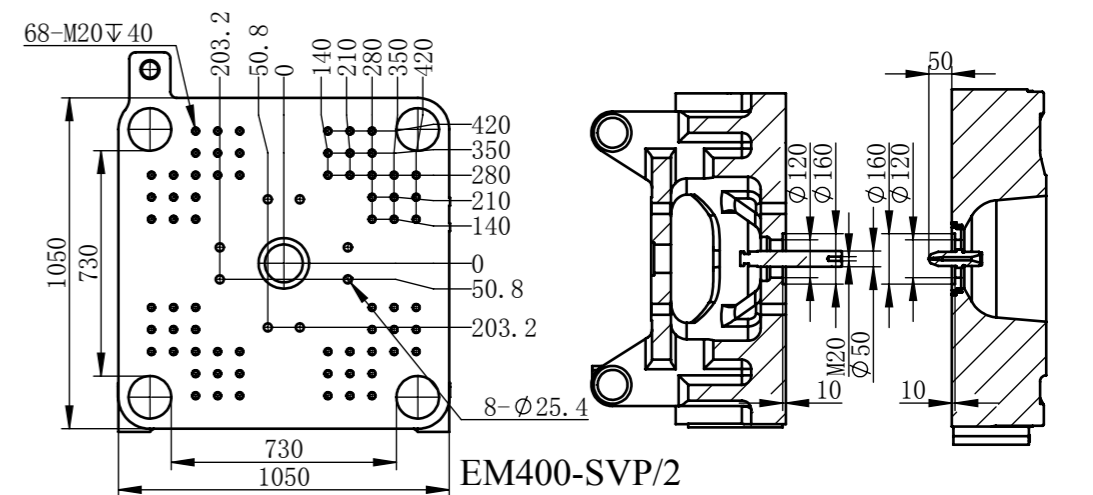
EM220-SVP/2



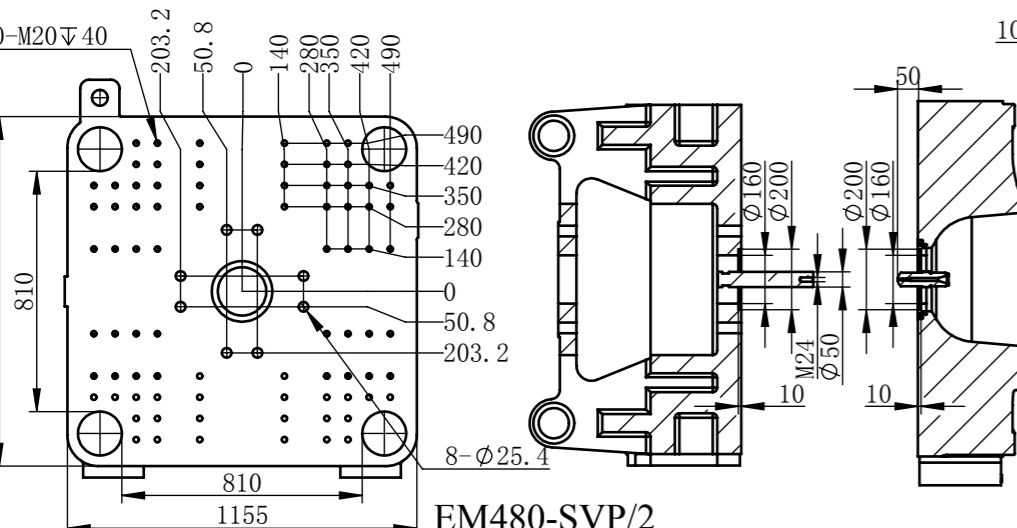
EM260-SVP/2



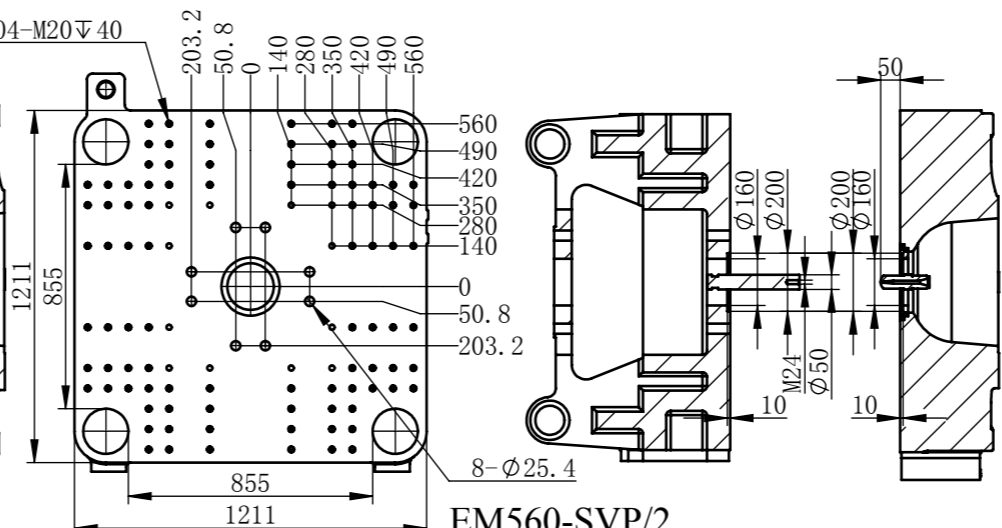
EM320-SVP/2



EM400-SVP/2



EM480-SVP/2



EM560-SVP/2

Remark: For reference only, the platen design is subject to the contract and/or final confirmation 2017.1